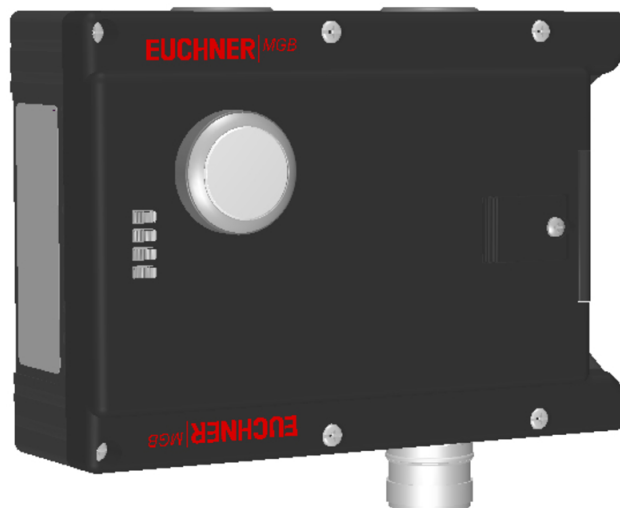


## MGB-L1-ARA-AK1A1-S1-R-121034 (ORDER NO. 121034)

Locking module MGB-L1-ARA..., (guard locking by spring force) with 1 push button, RC18

- ▶ Guard locking with guard lock monitoring
- ▶ Can be connected in series with other AR devices (e.g. CES-AR and CET-AR)
- ▶ 1 pushbuttons (illuminated)
- ▶ With lens set, 6 pcs.
- ▶ With plug connector RC18
- ▶ Unicode



### Description

### Guard locking type

MGB-L1... The locking arm is held in the locked position by spring force and is unlocked by solenoid force (closed-circuit current principle, mechanically locked).

### Door stop

A mechanical door stop is permanently integrated into the evaluation module of the MGB. A marking on the stop makes adjustment easier.

### LED indicator

The LED indicator indicates all important system and status information.

### Monitoring outputs

- OT Bolt tongue inserted into the evaluation module
- OL Guard locking solenoid in locked position
- OI Diagnostics; there is a fault

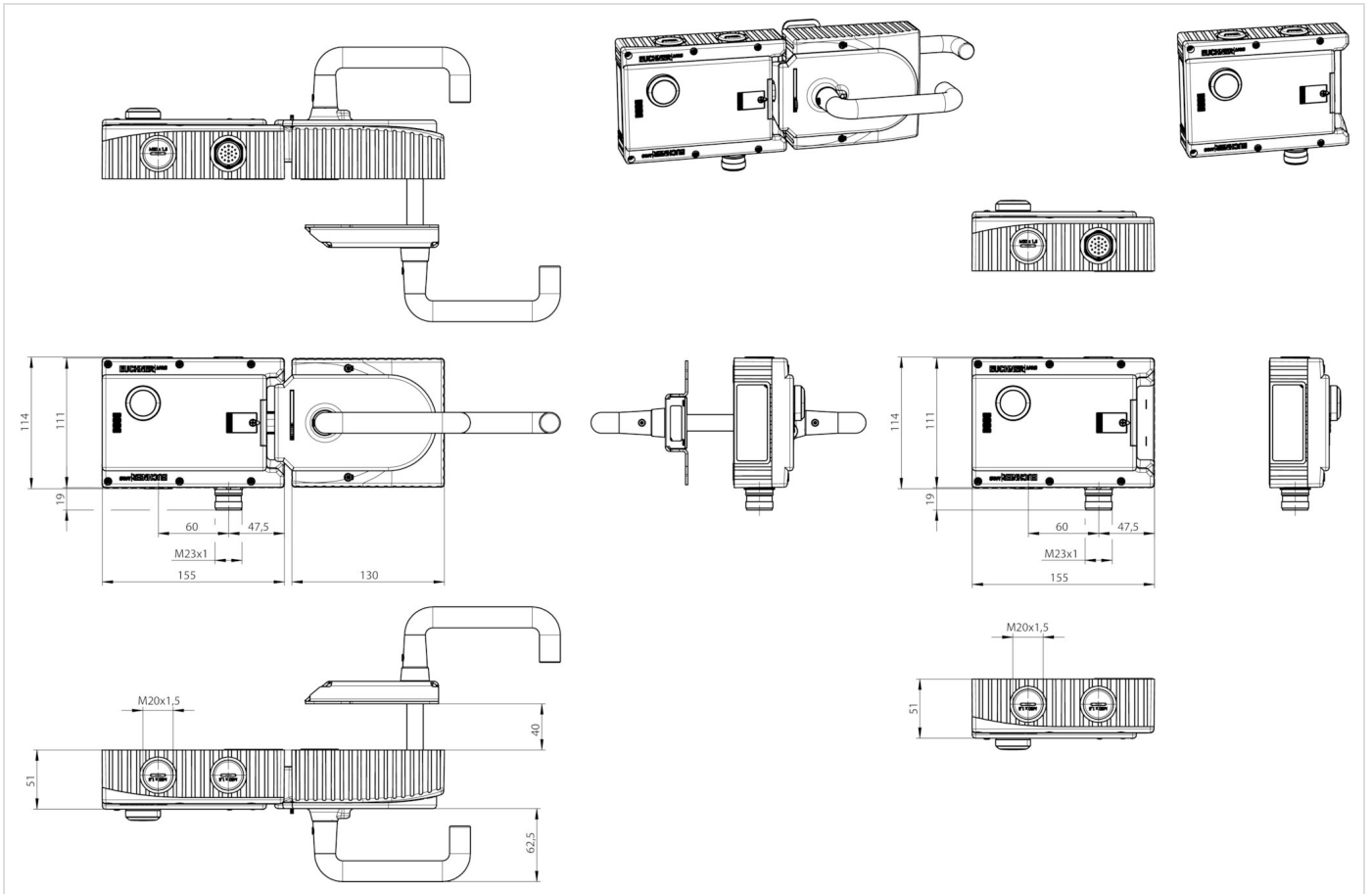
### Pushbutton

S1 1 NO contact, illuminated

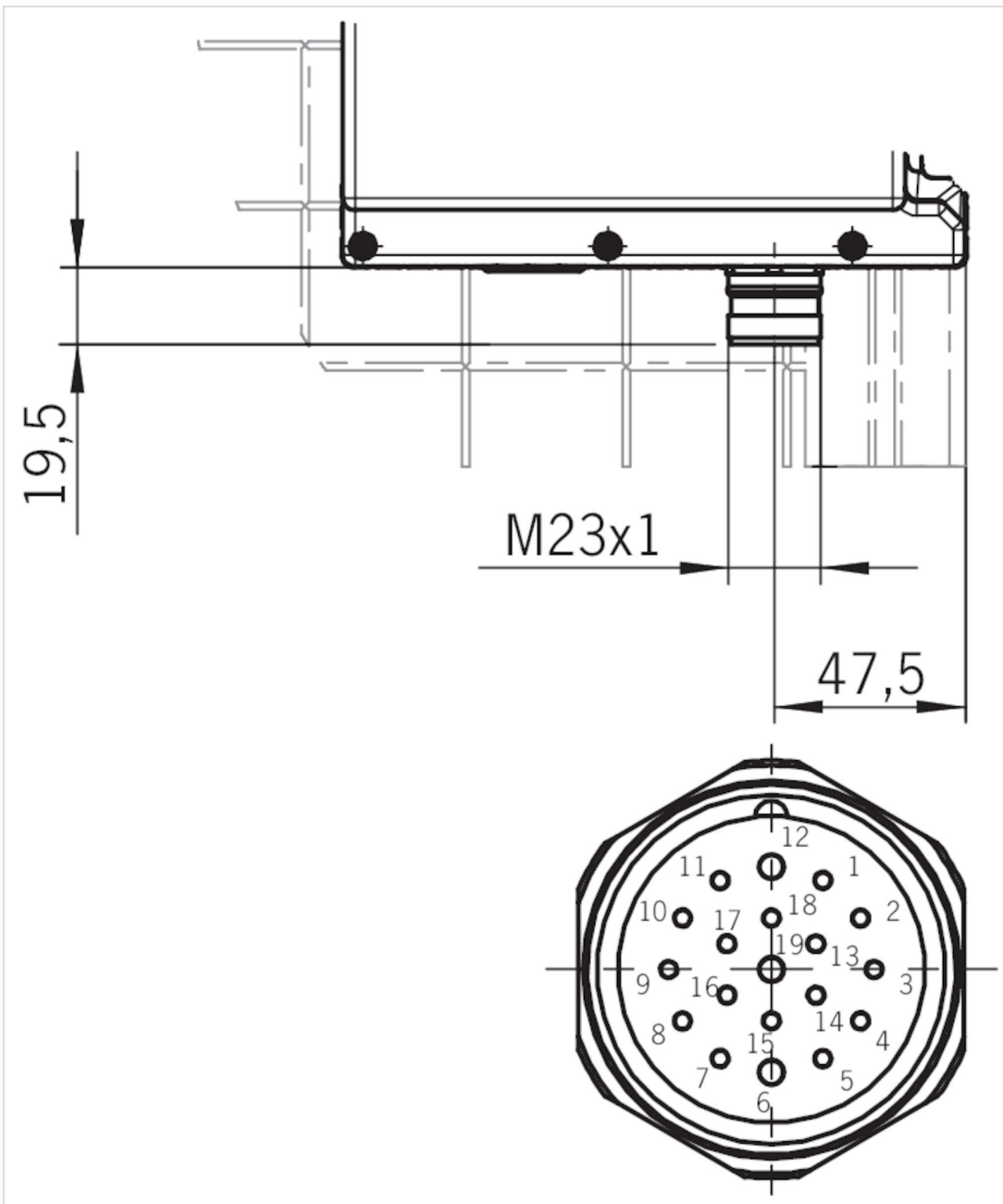
### Lens set

The color of the pushbutton can be selected using the lens set included (5 colors). Item no.: 120344 (see Accessories)

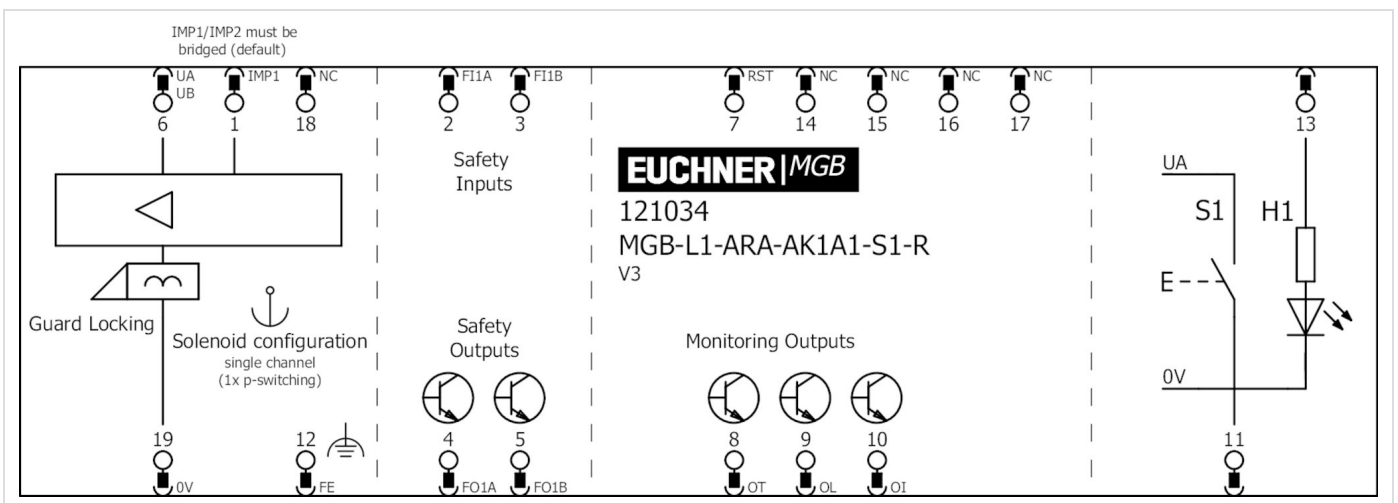
## Dimension drawing



## Dimension drawing



Plug connector RC18



Technical data

Approvals

## Mechanical values and environment

Housing material	Housing	Reinforced plastic; die-cast zinc nickel-plated, stainless steel
Weight	Net	0,75 kg
Ambient temperature	At $U_B = 24V$ DC	-20 ... 55 °C
Degree of protection		IP65
Mechanical life		1 x 10 <sup>6</sup>
	In case of use as door stop, and 1 Joule impact energy	0,1 x 10 <sup>6</sup>
Installation orientation		Door hinge DIN right
Switching frequency		0,25 Hz
Connection		Plug connector RC18 (X6)
Guard locking principle		Closed-circuit current principle
Locking force $F_{Zh}$		2000 N

## Electrical connection ratings

Utilization category acc. to EN 60947-5-2

	DC-13	24V 200mA (Caution: outputs must be protected with a free-wheeling diode in case of inductive loads.)
Rated insulation voltage $U_i$		30 V
Rated impulse withstand voltage $U_{imp}$		1,5 kV
Degree of contamination (external, according to EN 60947-1)		3
Safety class		III
Discrepancy time	Between FO1A and FO1B	max.10 ms
Risk time according to EN 60947-5-3		max.350 ms
Transponder coding		Unicode
<b>Controls and indicators</b>		
Switching voltage		$U_A$ V
Switching current		1 ... 10 mA
Breaking capacity		max.0,25 W
Power supply LED		24 V DC
<b>Solenoid control input IMP1, IMP2, IMM</b>		
Test pulses		max.5 ms
Test-pulse interval		min.100 ms
<b>Power supply <math>U_B</math></b>		
Operating voltage DC	$U_B$	24 V DC -15% ... 10% ((Reverse polarity protected, regulated, residual ripple <5%, PELV))
Current consumption	$I_{UB}$	max.80 mA

((no load on outputs))

### Power supply $U_A$

Operating voltage DC

$U_A$  24 V DC -15% ... 10%  
((Reverse polarity protected, regulated, residual ripple <5%, PELV))

Current consumption

$I_{UA}$  max.375 mA  
((With energized guard locking solenoid and unloaded outputs OD, OT, OL, OI, +20 °C, 24V))

### Safety outputs F01A, F01B

Test pulses

max.1 ms

Test-pulse interval

min.100 ms

Type of output

Semiconductor outputs, p-switching, short circuit-proof

Output voltage

$U_{F01A} / U_{F01B}$  HIGH UB-2V ... UB V DC  
(Value at a switching current of 50mA without taking into account the cable lengths)

$U_{F01A} / U_{F01B}$  LOW 0 ... 1 V DC

Output current

Per safety output F01A / F01B 1 ... 200 mA

### Monitoring outputs OD, OT, OL, OI

Type of output

Semiconductor outputs, p-switching, short circuit-proof

Output voltage

UA-2V ... UA V DC  
(Value at a switching current of 50mA without taking into account the cable lengths)

Output current

max.50 mA

## Controls and indicators

Assignment diagram

L1

### Position 1

Version

Illuminated push buttons

Slide-in label

Special features

Color

Switching element

1NO

## Other

Additional feature

Incl. cover set ID. No. 120344

Product version number

V4.0.0

Reliability values according to EN ISO 13849-1

## Monitoring of guard locking and the safety guard position

Category	4
Performance Level	PL e
PFH <sub>D</sub>	3.7 x 10 <sup>-9</sup>

## Control of the guard locking

Category	4
Performance Level	PL e
PFH <sub>D</sub>	2.8 x 10 <sup>-9</sup>
Mission time	20 y

## Accessories

### Connection material

#### Connection cable with plug connector M23 with option C1825, 1.5m, straight



**092761**  
C-M23F19-19XDIFPU01,5-MA-092761

- ▶ M23 plug connector, 18-pin + PE
- ▶ Straight plug connector
- ▶ PUR cable
- ▶ Cable length 1.5 m
- ▶ With flying lead
- ▶ Cores color-coded

#### Connection cable with plug connector M23 with option C1825, 3m, straight



**092816**  
C-M23F19-19XDIFPU03,0-MA-092816

- ▶ M23 plug connector, 18-pin + PE
- ▶ Straight plug connector
- ▶ PUR cable
- ▶ Cable length 3 m
- ▶ With flying lead
- ▶ Cores color-coded

#### Connection cable with plug connector M23 with option C1825, 6m, straight



**077014**  
C-M23F19-19XDIFPU06,0-MA-077014

- ▶ M23 plug connector, 18-pin + PE
- ▶ Straight plug connector
- ▶ PUR cable
- ▶ Cable length 6 m
- ▶ With flying lead
- ▶ Cores color-coded

#### Connection cable with plug connector M23 with option C1825, 8m, straight



**077015**  
C-M23F19-19XDIFPU08,0-MA-077015

- ▶ M23 plug connector, 18-pin + PE
- ▶ Straight plug connector
- ▶ PUR cable
- ▶ Cable length 8 m
- ▶ With flying lead
- ▶ Cores color-coded

#### Connection cable with plug connector M23 with option C1825, 10m, straight



**092898**  
C-M23F19-19XDIFPU10,0-MA-092898

- ▶ M23 plug connector, 18-pin + PE
- ▶ Straight plug connector
- ▶ PUR cable
- ▶ Cable length 10 m
- ▶ With flying lead
- ▶ Cores color-coded

#### Connection cable with plug connector M23 with option C1825, 15m, straight



**077016**

- ▶ M23 plug connector, 18-pin + PE



C-M23F19-19XDIFPU15,0-MA-077016

- ▶ Straight plug connector
- ▶ PUR cable
- ▶ Cable length 15 m
- ▶ With flying lead
- ▶ Cores color-coded

### Connection cable with plug connector M23 with option C1825, 20m, straight

---



092726  
C-M23F19-19XDIFPU20,0-MA-092726

- ▶ M23 plug connector, 18-pin + PE
- ▶ Straight plug connector
- ▶ PUR cable
- ▶ Cable length 20 m
- ▶ With flying lead
- ▶ Cores color-coded

### Connection cable with plug connector M23 with option C1825, 25m, straight

---



092727  
C-M23F19-19XDIFPU25,0-MA-092727

- ▶ M23 plug connector, 18-pin + PE
- ▶ Straight plug connector
- ▶ PUR cable
- ▶ Cable length 25 m
- ▶ With flying lead
- ▶ Cores color-coded

### Connection cable with plug connector M23 with option C1825, 30m, straight

---



095993  
C-M23F19-19XDIFPU30,0-MA-095993

- ▶ M23 plug connector, 18-pin + PE
- ▶ Straight plug connector
- ▶ PUR cable
- ▶ Cable length 30 m
- ▶ With flying lead
- ▶ Cores color-coded

### Connection cable with plug connector M23 with option C1825, 40m, straight

---



102490  
C-M23F19-19XDIFPU40,0-MA-102490

- ▶ M23 plug connector, 18-pin + PE
- ▶ Straight plug connector
- ▶ PUR cable
- ▶ Cable length 40 m
- ▶ With flying lead
- ▶ Cores color-coded

### Connection cable with plug connector M23, 19-pin, 30m, straight

---



122434  
C-M23F19-19XDIFPU30,0-MA-122434

- ▶ M23 female plug, 19-pin
- ▶ Straight plug connector
- ▶ PUR cable
- ▶ Cable length 30 m
- ▶ With flying lead
- ▶ Cores numbered, black

### Connection cable with plug connector M23, 19-pin, 40m, straight

---

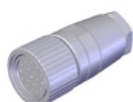


122435  
C-M23F19-19XDIFPU40,0-MA-122435

- ▶ M23 female plug, 19-pin
- ▶ Straight plug connector
- ▶ PUR cable
- ▶ Cable length 40 m
- ▶ With flying lead
- ▶ Cores numbered, black

### Female plug RC18 straight with option C1825

---



077025  
RC18EF-C1825

- ▶ Plug connector M23, straight
- ▶ Number of pins: 19-pin with shield spring

## Replacement crimp contacts for female connector RC18 with option C1825

---

**094310**  
CRIMPKONTAKT BUCHSE RCF-C1825

- ▶ 19 crimp sockets
- ▶ Conductor cross-section 16 x 0.25 - 0.5 mm<sup>2</sup> and 3 x 0.75 - 1 mm<sup>2</sup>
- ▶ For plug connector RC18..C1825

## Function expansion

### Emergency unlocking for safety system MGB

---



**112989**  
MGB-A-EMERGENCYRELEASE-112989

- ▶ Quick emergency release
- ▶ sealable

## Miscellaneous accessories

## Lens set 5 colors

---



**120344**  
AY-SET-LNS-0001-120344

---



**163284**  
AY-SET-LNS-0003-163284

---

## Lens set 6 colors

---



**120378**  
AY-SET-LNS-0002-120378

---

## Lens set labeled

---



**120377**  
AY-SET-LNS-SY01-120377

---



**125359**  
AY-SET-LNS-SY02-125359

---



**126158**  
AY-SET-LNS-SY03-126158

---



**158307**  
AY-SET-LNS-SY04-158307

---



**160049**  
AY-SET-LNS-SY05-160049

---

## Mounting accessories

## Mounting plate for evaluation modules MGB-L.-AR.-... and MGB-L.-AP.-...

---



**109490**  
MGB-A-MOUNTINGPLATE-L-109490

- ▶ Easy and quick mounting (only two screws required)
- ▶ Quick module replacement
- ▶ Steel, powder coated
- ▶ Suitable for doors hinged on the right or left

### Contacts

🏠 EUCHNER GmbH + Co. KG  
Kohlhammerstraße 16  
70771 Leinfelden-Echterdingen

☎ +49 711 7597-0

📠 +49 711 753316

✉ [info\(at\)euchner.de](mailto:info(at)euchner.de)